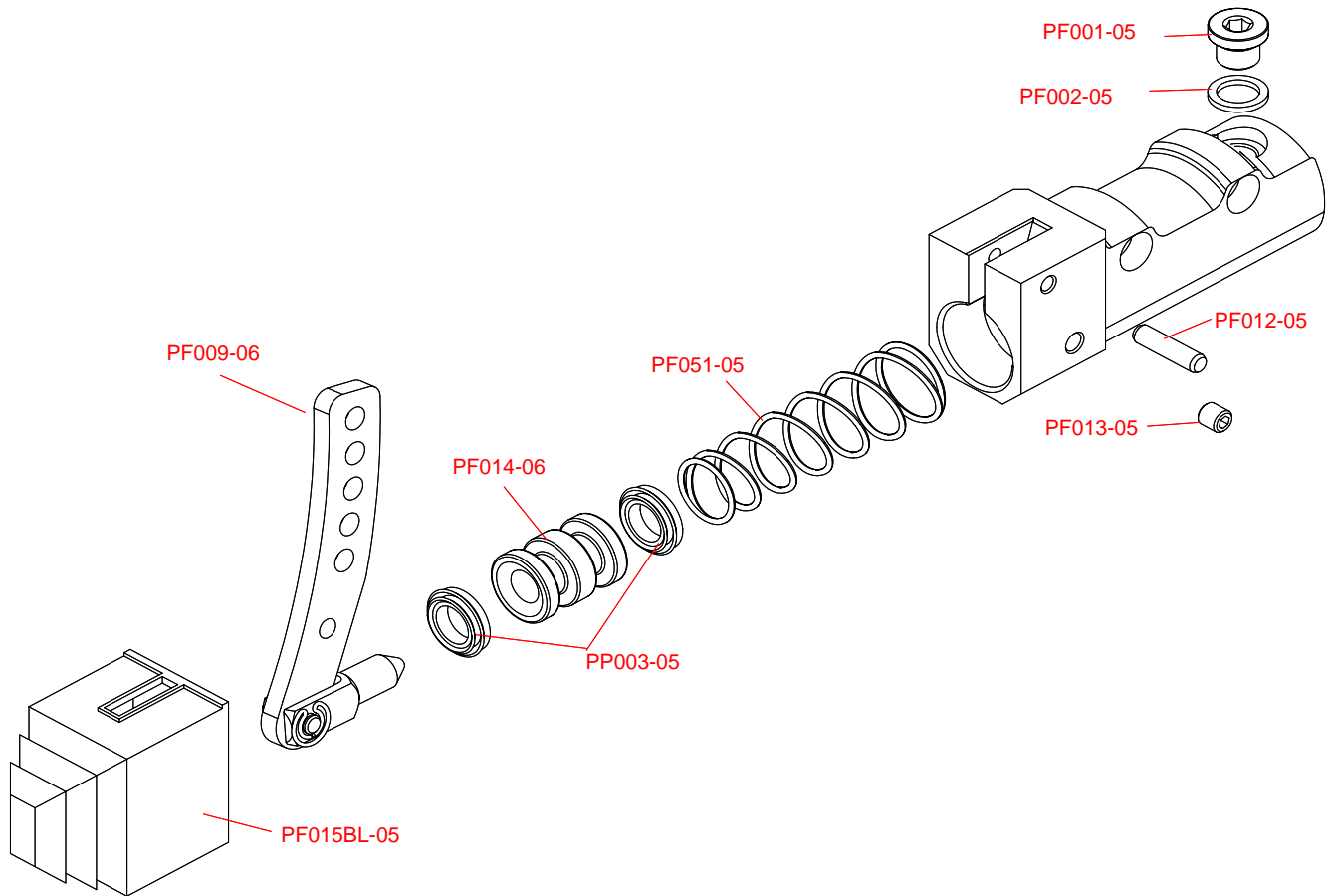


POMPA FRENO POSTERIORE Ø19 EVO8 / REAR BRAKE PUMP Ø19 EVO8

COD.	DESCRIZIONE / DESCRIPTION
INT0663-06	Pompa freno INTREPID Ø19mm Brake pump INTREPID Ø19mm



COD.	DESCRIZIONE / DESCRIPTION
PF001-05	Tappo filettato 10x1 col. nero Threaded cap 10x1 Col. Black
PF002-05	Rondella in alluminio Ø14x10x1,5 mm Aluminium washer Ø14x10x1,5 mm
PF012-05	Spina Ø5x20 rettificata Centering pin 5x20 ground
PF013-05	Grano di sicurezza M6x6 s.p. Safety dowel Ø6x6 (without top)
PP003-05	Gommino tenuta olio Ø19 mm Oil locking rubber Ø19 mm
PF015BL-05	Cuffia parapolvere per pompa freno -Col. Blu Dusty cap for brake pump - Col. Blue
PF009-06	Leva fissa completa di premipistoncino per pompa freno EVO8 Fixed lever complete with piston-pusher for brake pump EVO8
PF014-06	Pistoncino Ø19mm in ottone completo di gommini Piston Ø19mm complete with rubbers
PF051-05	Molla elicoidale Ø19mm per pompa freno Helicoidal spring Ø19mm for brake pump