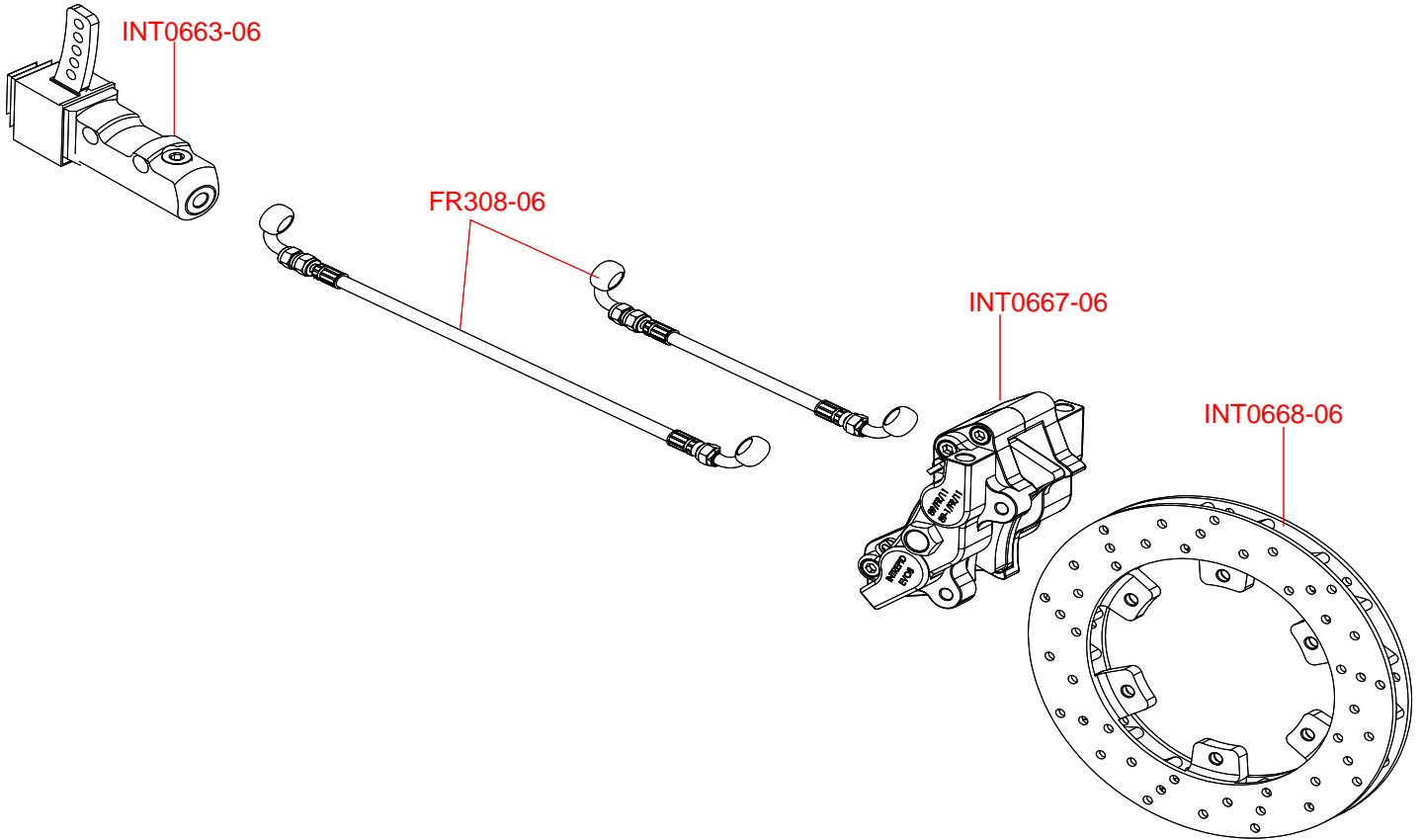


IMPIANTO FRENO EVO 8 POST. / REAR EVO8 BRAKING SYSTEM

COD.	DESCRIZIONE / DESCRIPTION
INT0690-06	IMPIANTO FRENO POSTERIORE EVO8 100cc (89-1/FR/11) BRAKING SYSTEM EVO8 100cc - REAR (89-1/FR/11)



COD.	DESCRIZIONE / DESCRIPTION
INT0663-06	Pompa freno INTREPID Ø19mm Brake pump INTREPID Ø19mm
FR308-06	Kit tubi freno post. con occhielli L 160-680mm Rear brake pipes with screw eye L160-680mm
INT0667-06	Pinza freno post. EVO8 Rear brake caliper EVO8
INT0668-06	Disco freno post. Ø 200x16 autoventilato Rear brake disk - self-ventilated -Ø200x16mm

